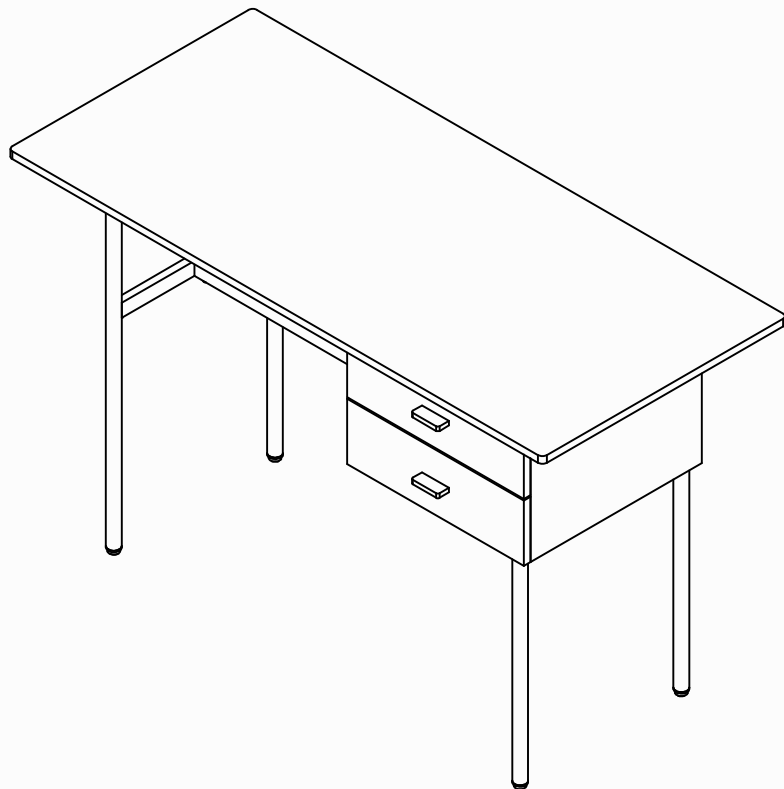
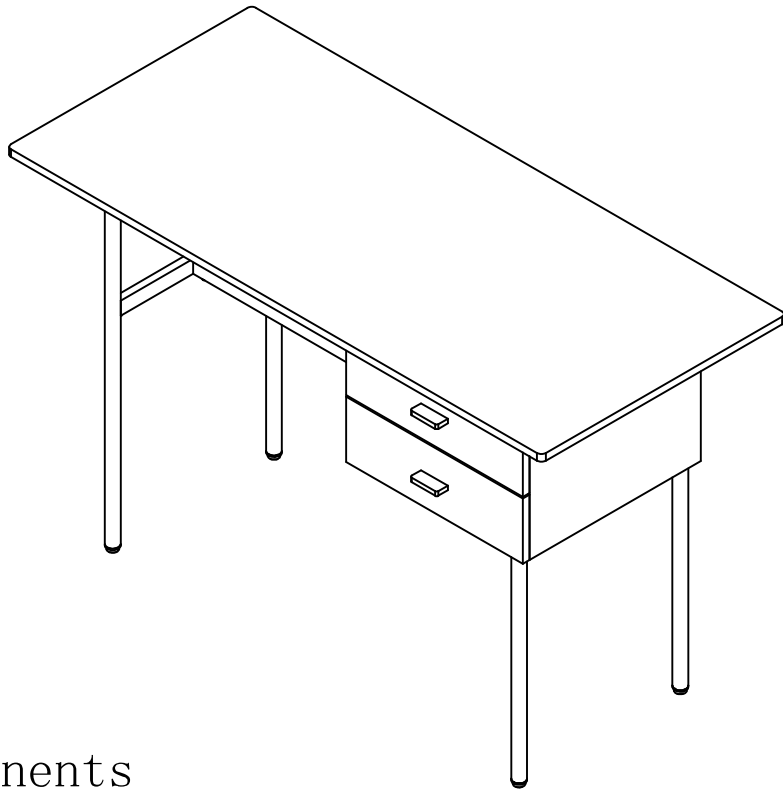


# Canyon Dressing Table

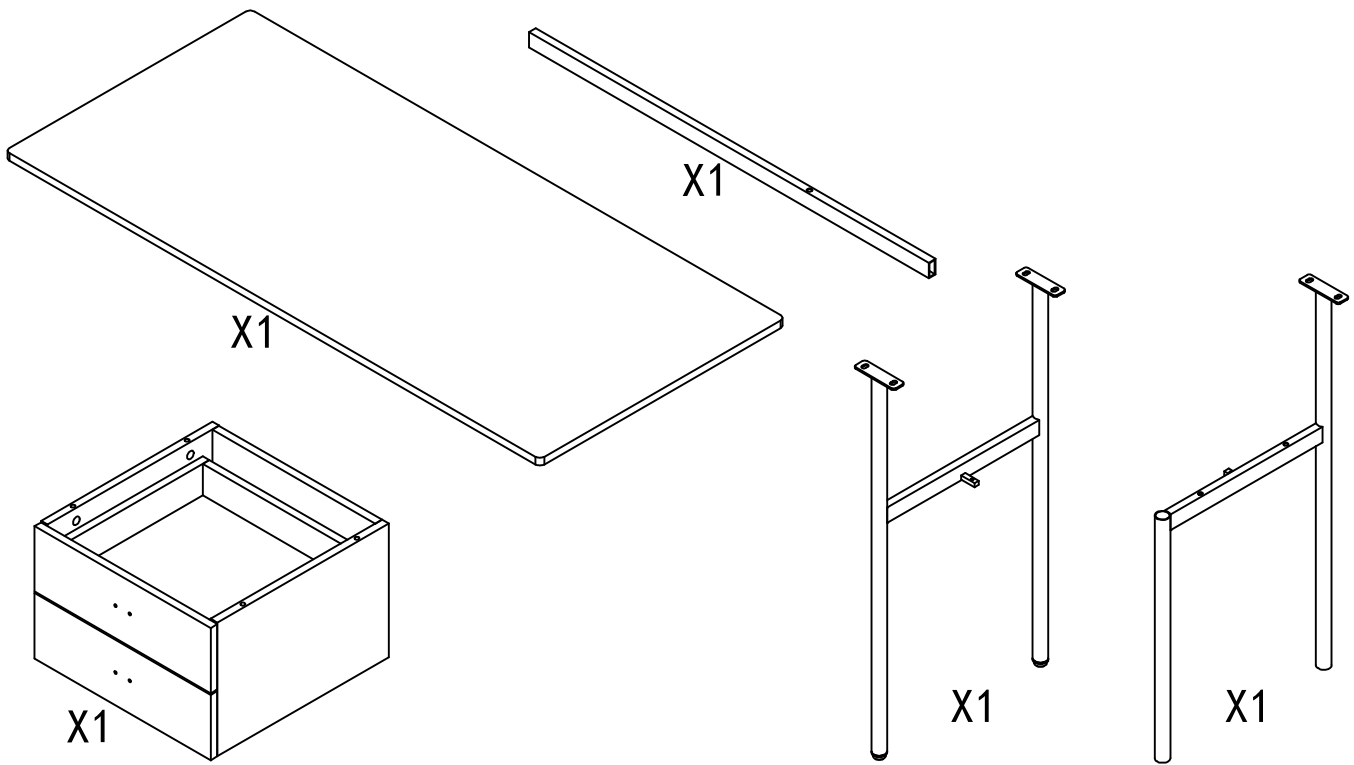


# Furnt

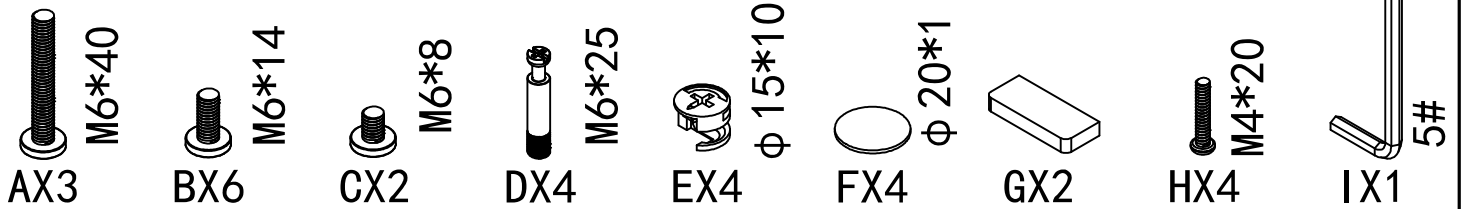
[www.furnt.co.uk](http://www.furnt.co.uk)



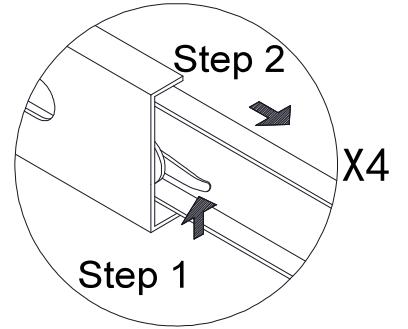
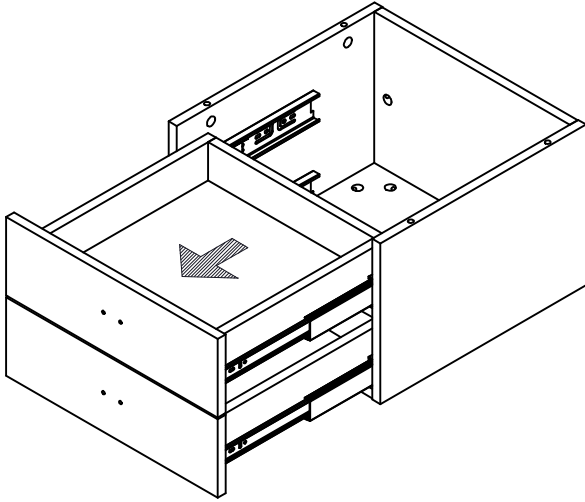
Product components



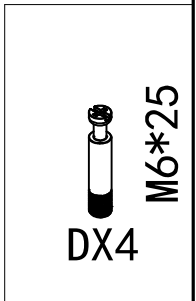
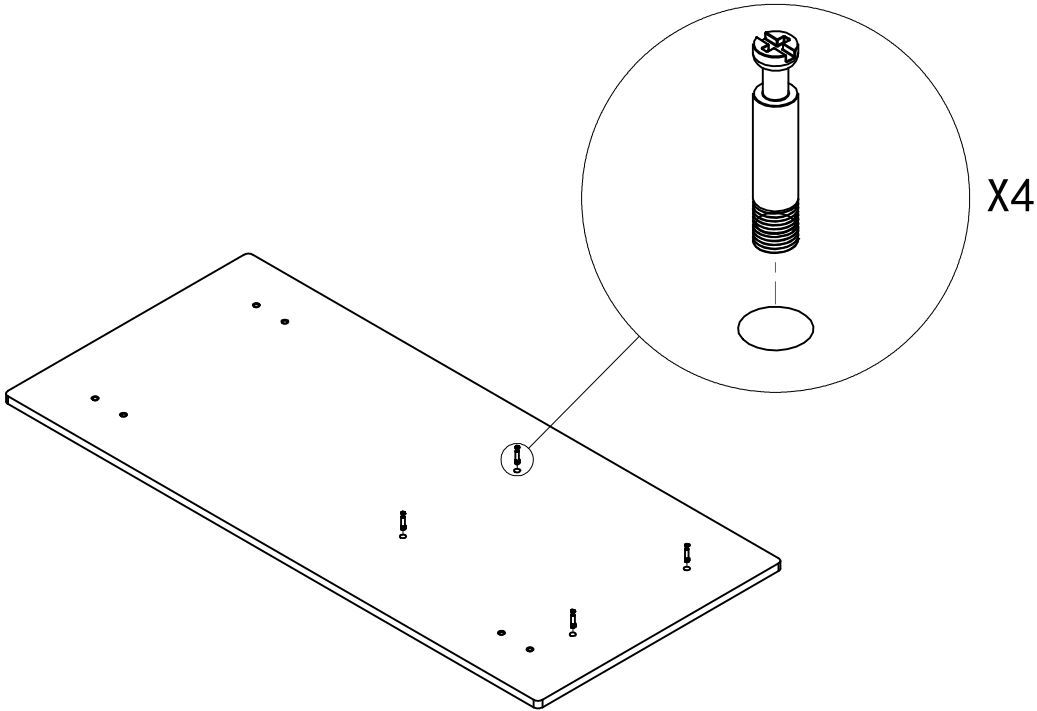
The assembly parts



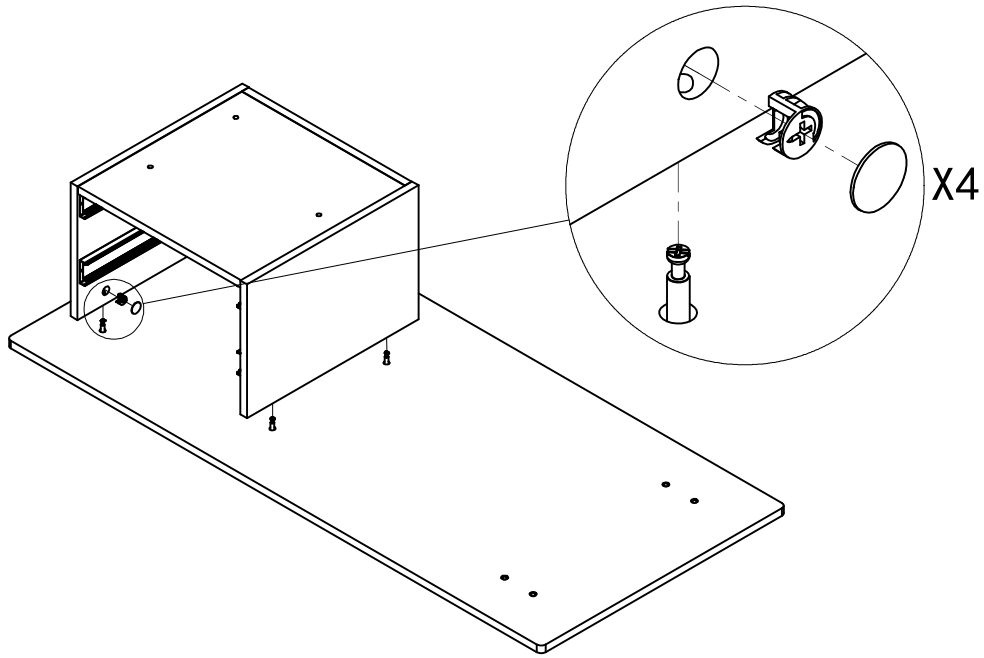
1、





2、

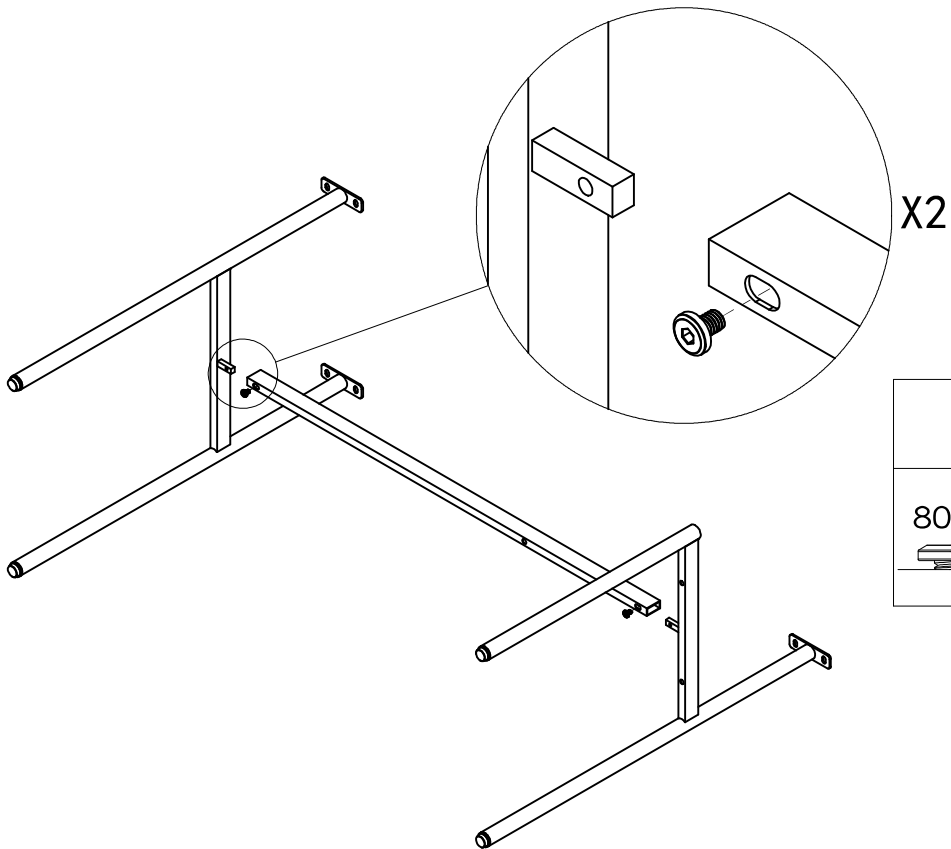


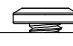



3、




 EX4	φ 15*10  FX4
---	--

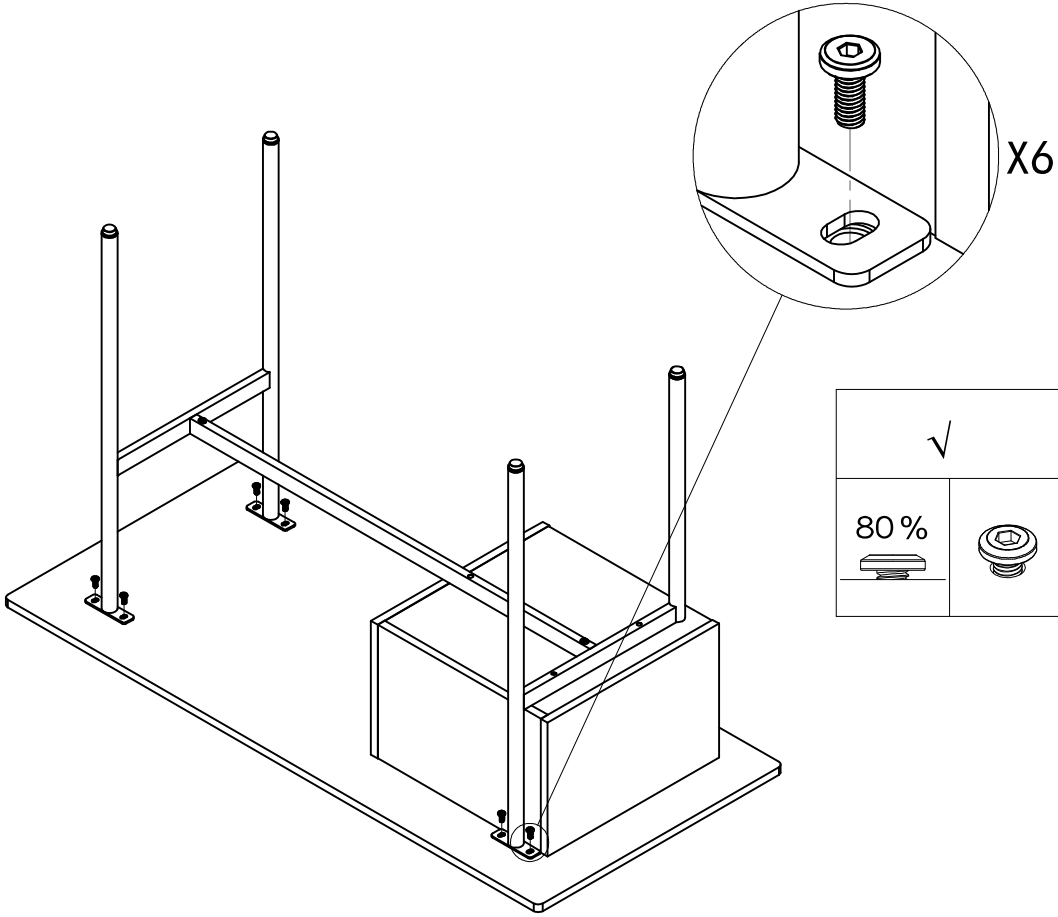
4、




√		×	
80% 		100% 	

 CX2 M6*8
---

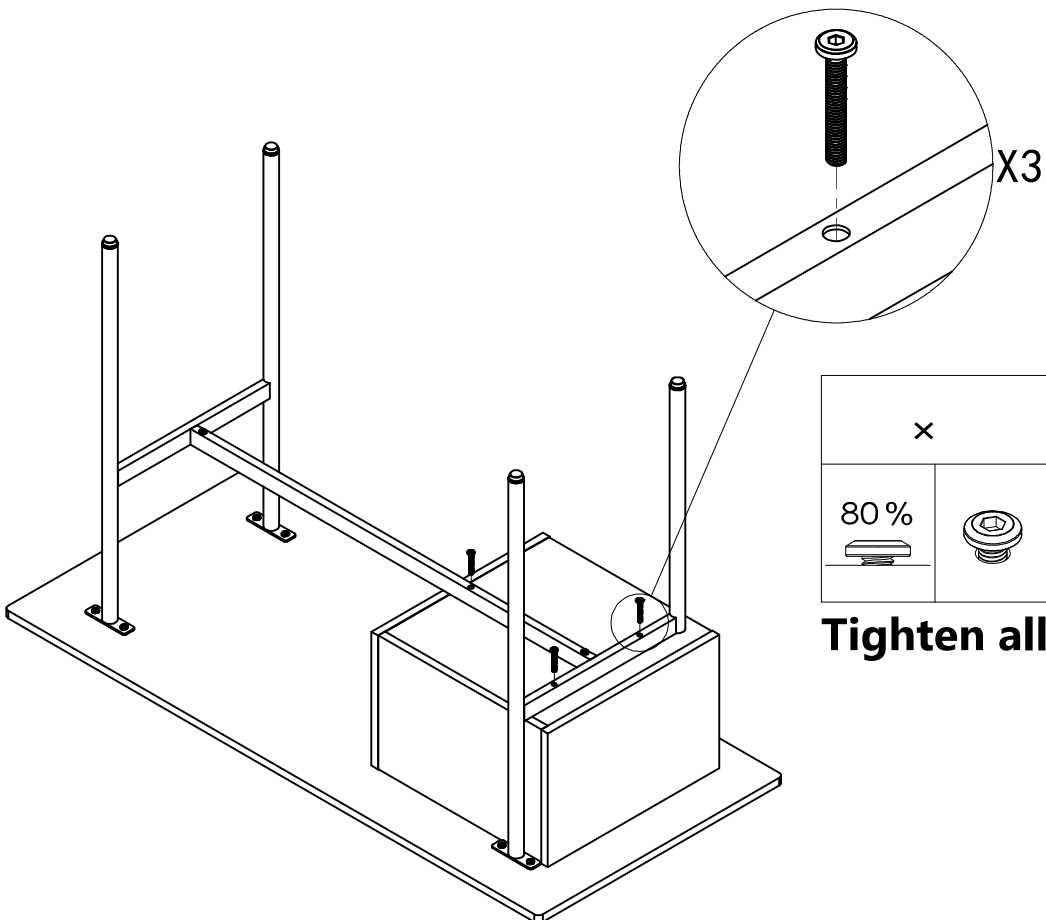
5、



✓		✗	
80%		100%	


 M6\*14  
BX6

6、

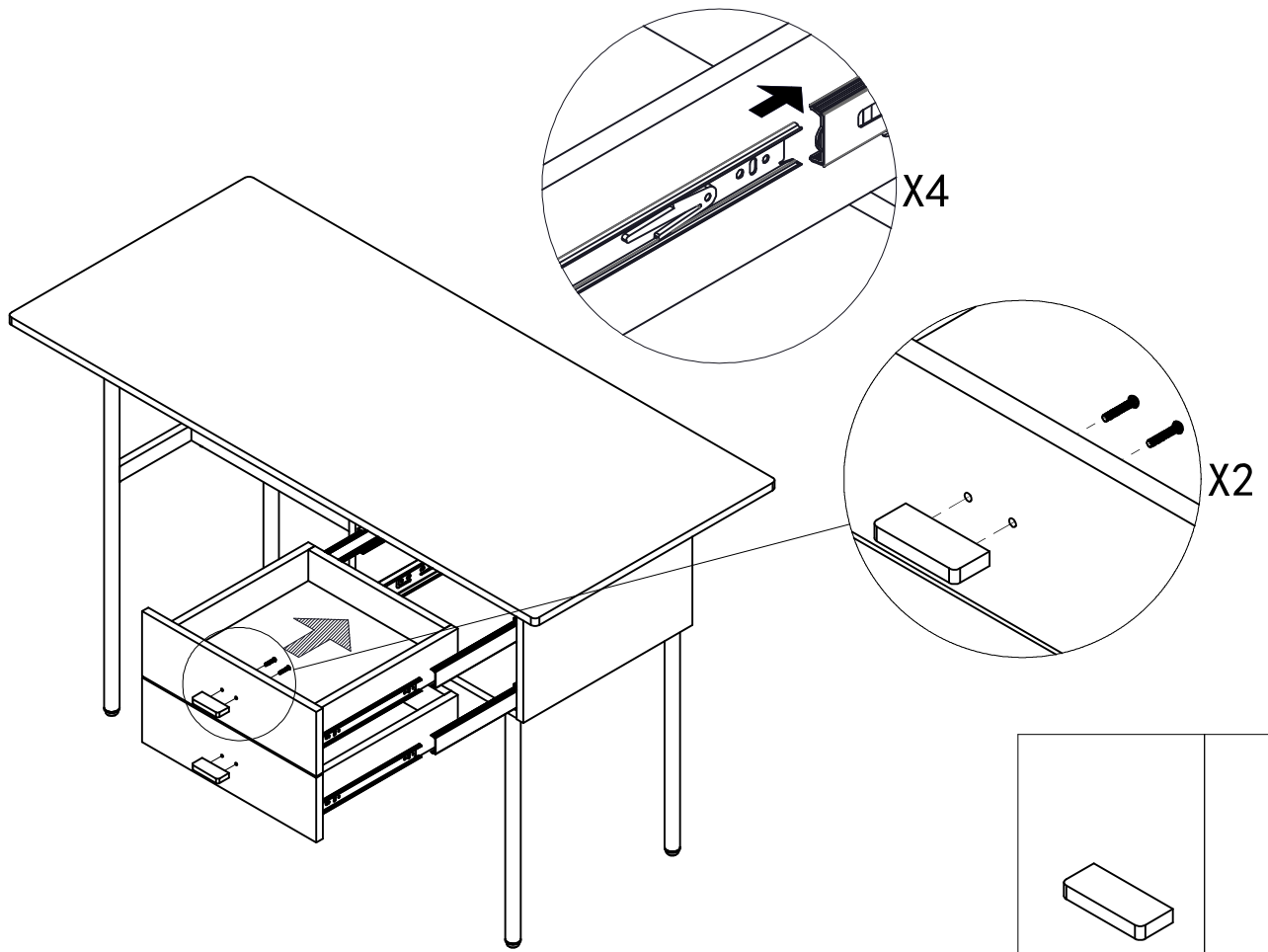


✗		✓	
80%		100%	

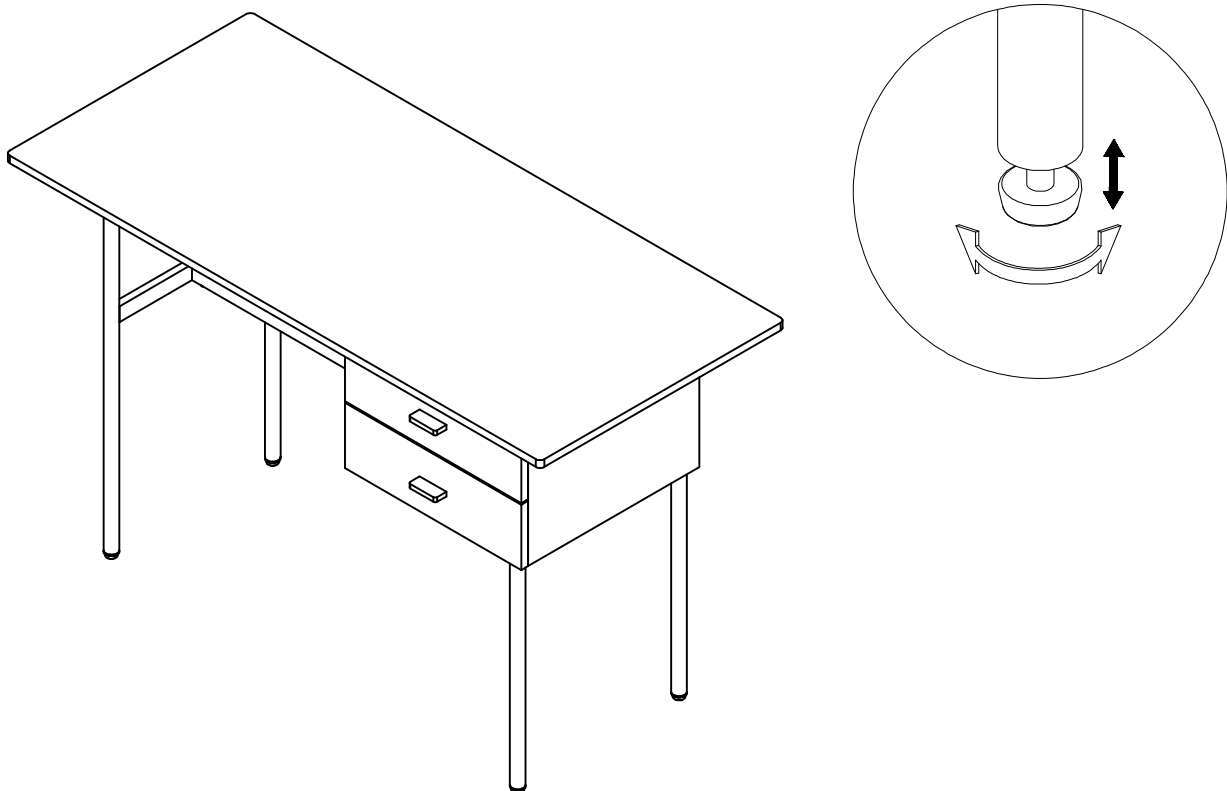
**Tighten all the screws**

 M6\*40  
AX3

7、



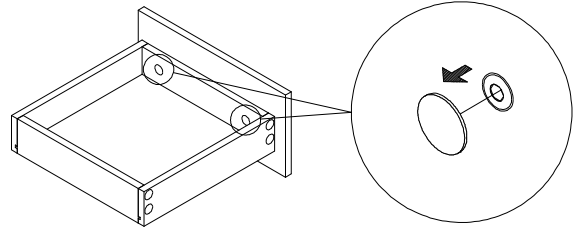
8、



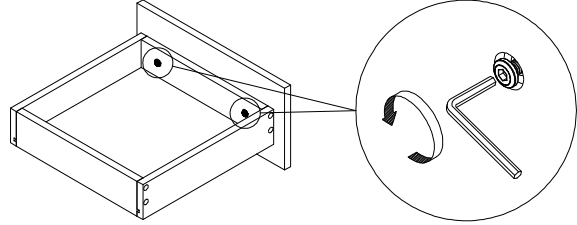
9、

Adjustment for drawer face gaps

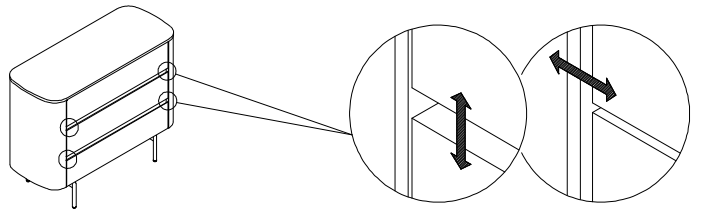
1st step



2nd step



3rd step



4th step

